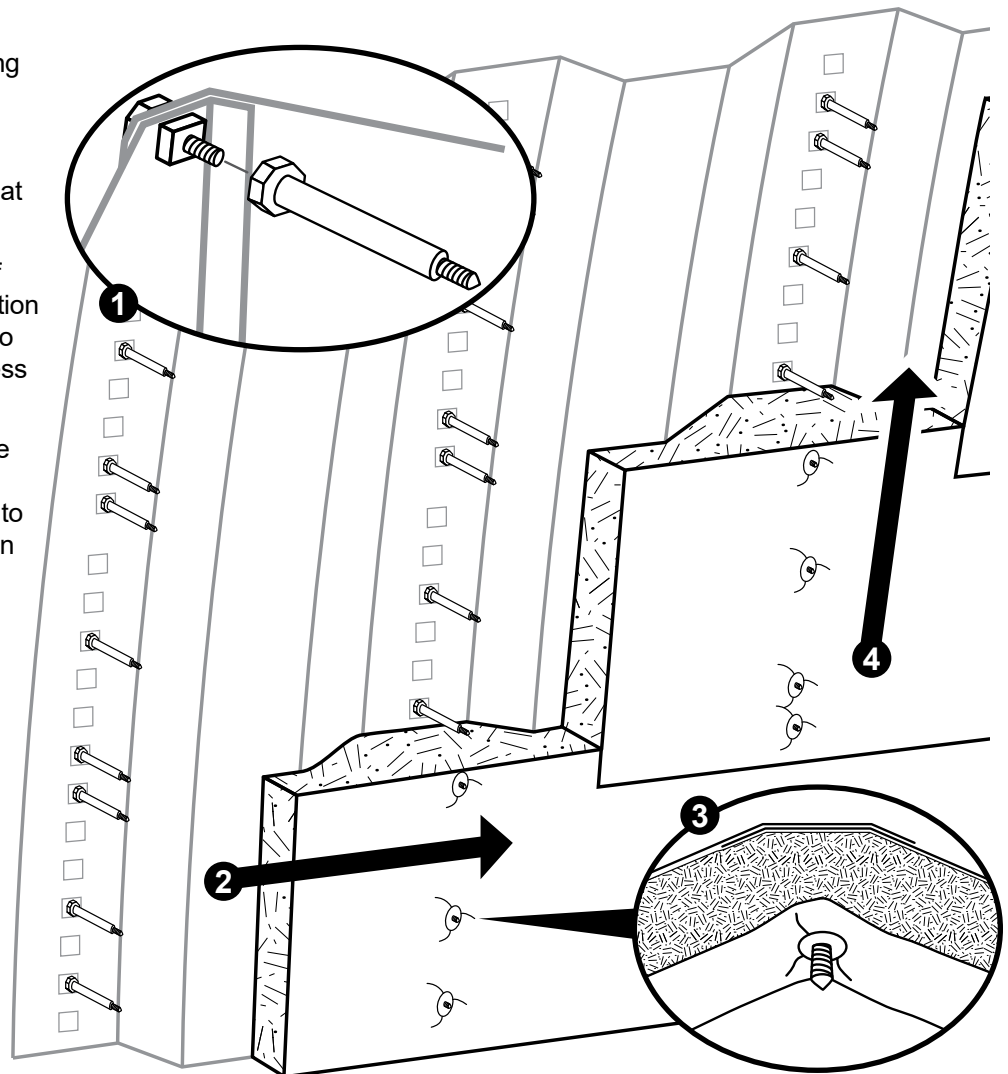


Installing Laminated Insulation

Recommended Arch Wall/Roof Insulation Installation Procedure:

- 1** Before installing insulation, ensure that pins are attached correctly to the building bolt hardware. Pins are placed 1 pin every 2 bolts, except the bottom bolt which starts one above the base and anytime the panels overlap, there should be 2 bolts. The space at the bottom can be taped down if necessary.
- 2** Working horizontally along the length of the building, install the first roll of insulation at the floor. Insulation should be installed into the corners at the end wall to form a seamless (rounded) corner.
- 3** Structural pins should fully penetrate the insulation facing. Insulation should fit over pin and flush against corrugated panel to avoid condensation issues. Secure insulation cap washers. **DO NOT OVER COMPRESS INSULATION.**
- 4** Install the second layer in a similar fashion, with the self-seal tab overlapping the edge of the layer of insulation below. Continue this process to the peak of the structure.
- 5** Repeat the process on the opposite side of the structure, beginning at the floor and working horizontally as before.
- 6** Use the patch tape provided to seal the insulation joint at the peak of the structure for the length of the building. Ensure that the insulation is “buted” as close together as possible at the peak, without overlapping.



Recommended Endwall Insulation Installation Procedure:

When installing endwall insulation, the same procedure should be followed as with arch wall/roof insulation. Keep in mind that roll lengths will be shorter based on the style of your building, as each building style narrows in at different points

1. Begin with the longest roll supplied and install using the same application procedure as described above. Roll lengths will get shorter as the insulation is installed, floor to ceiling.

Important notes:

- Your insulation will arrive in several rolls that have been pre-cut to fit your specific building dimensions.
- Arch rolls (floor to ceiling) will be the longest rolls received. Arch rolls are 30% longer than the building length to account for corrugated walls.
- Endwall rolls are also pre-cut to fit your specific building dimensions. Endwall rolls are 15% longer than the width of the building for solid endwalls, less any openings.
- Insulation roll sizes are 4' wide by the required pre-cut length, and have one (1) 6" self-sealing tab to join rolls together. Generally this will be a “peel and stick” tab.